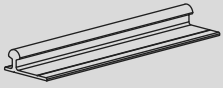


SLID'UP
by MANTION

INSTRUCTION DE MONTAGE
MONTAGEANLEITUNG
INSTRUCTIONS FOR ASSEMBLY
INSTRUCCIONES DE MONTAJE
INSTRUKCJA MONTAŻU

SLID'UP 130

SU5114
SU5115
SU5116
SU5117
SU5118
SU5119



x4



x4/x6



x4/x6



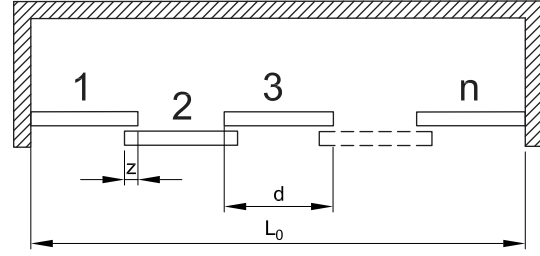
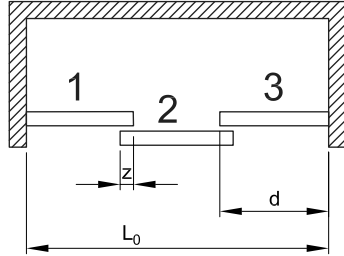
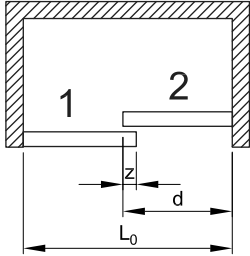
x2/x3



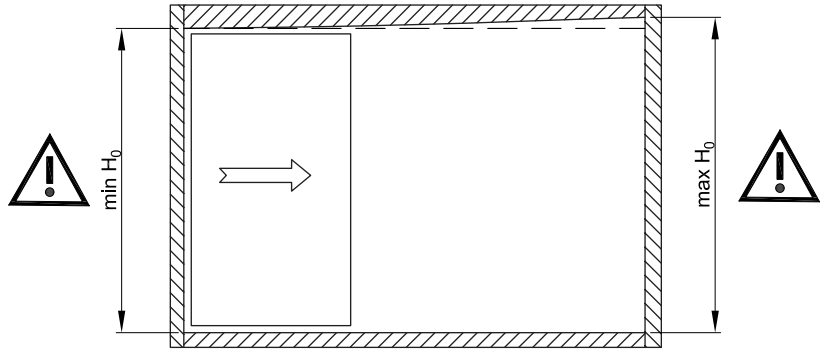
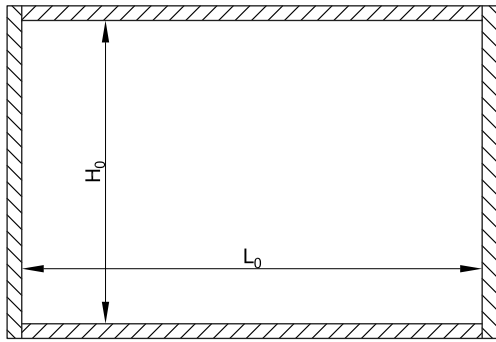
x1



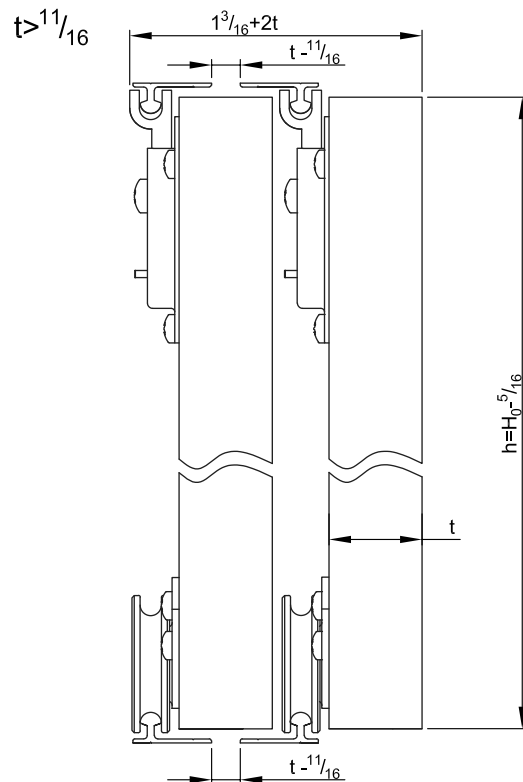
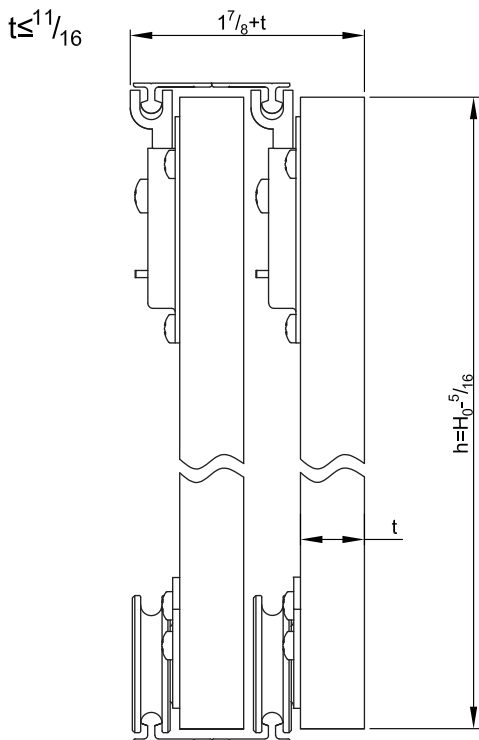
155
lb

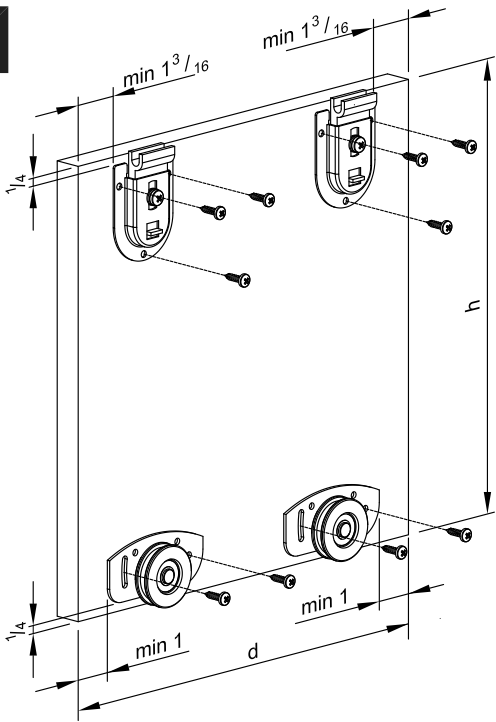
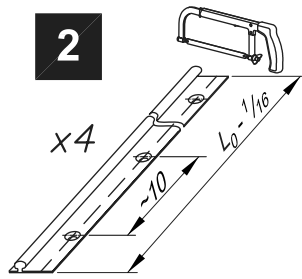
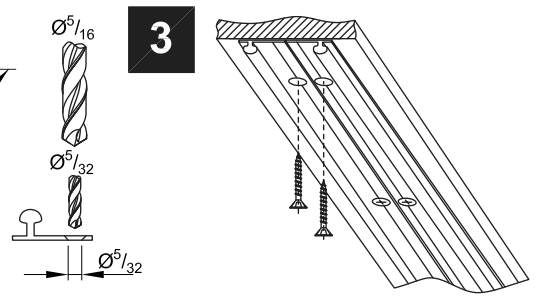
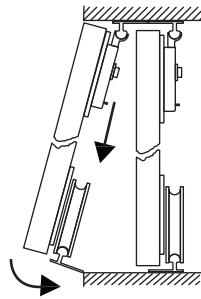
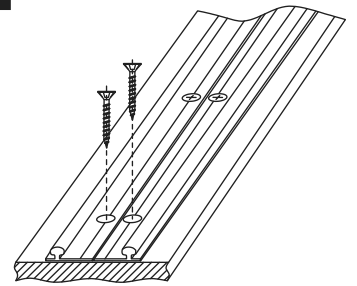
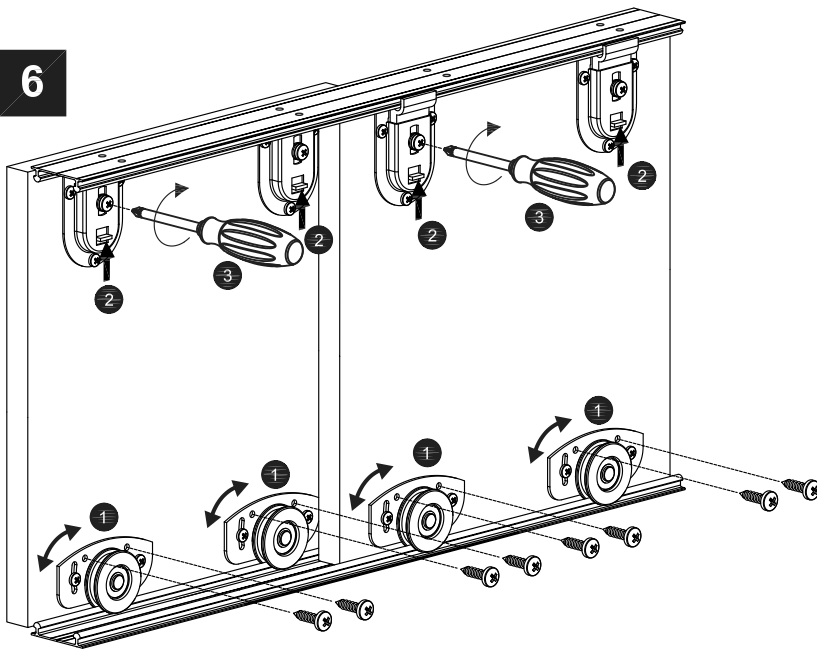
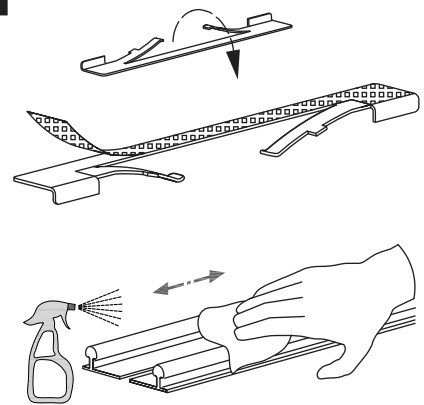


$$d = \frac{L_0 + (n-1) \cdot z}{n} \quad z = 1^{9/16}$$



$$\max H_0 - \min H_0 \leq 5/32$$



1**2****3****4****5****6****7****8**